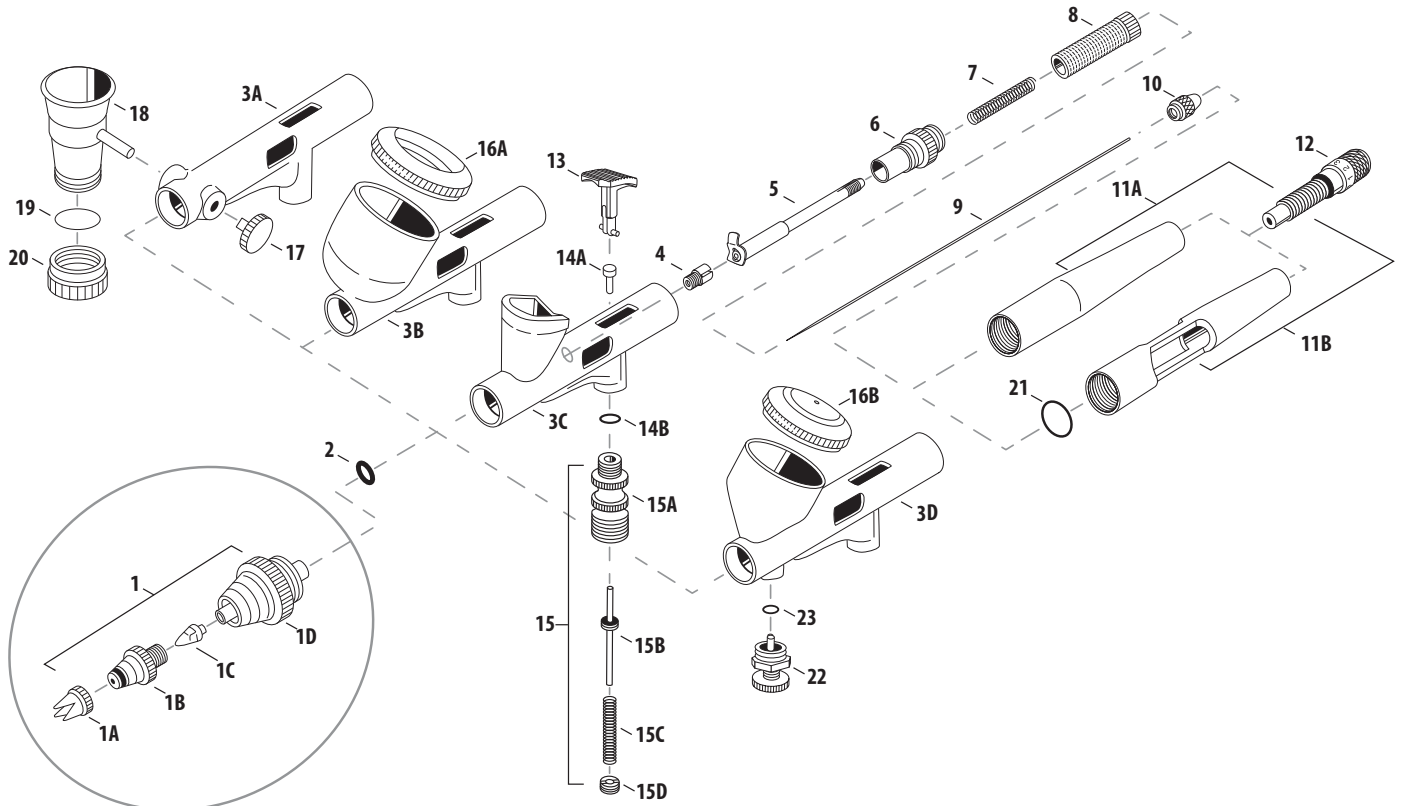


IWATA CUSTOM MICRON SERIES (VERSION 2)



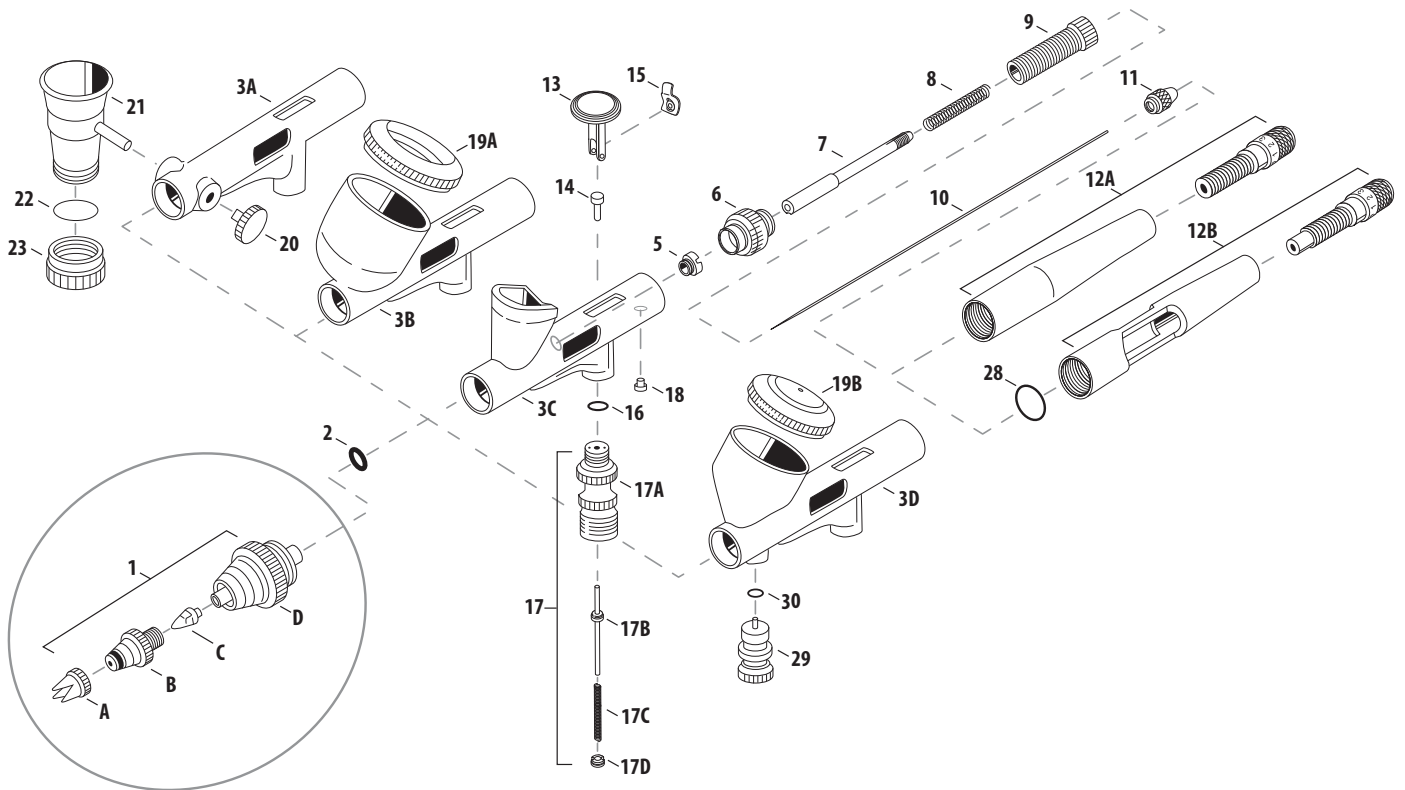
#	ITEM DESCRIPTION	PRICE CODE	ITEM #	CM-B	CM-SB	CM-C	CM-C+	ALSO FITS
1	Fluid Head System	0.18 mm	L 1535 1	■	■	opt	opt	All CM
		0.23 mm	L 1535 2	opt	opt	■	■	All CM
1A	Fluid Head-Needle Crown Cap	D	1535 1D	■	■	■	■	All CM
1B	Fluid Head-Nozzle Cap	G	1535 1C	■	■	opt	opt	All CM
		G	1535 2C	opt	opt	■	■	All CM
1C	Fluid Head-Nozzle	0.18 mm	H 1535 1B	■	■	opt	opt	All CM
		0.23 mm	H 1535 2B	opt	opt	■	■	All CM
1D	Fluid Head Nozzle Base	J	1535 1A	■	■	■	■	All CM
2	Packing Fluid Head (O-Ring)	C	1580 2	■	■	■	■	All CM
3A	Body*	SB	N/A	x	■	x	x	
3B		C	N/A	x	x	■	x	
3C		B	N/A	■	x	x	x	
3D		C+	N/A	x	x	x	■	
4	Packing Fluid Needle Set (PTFE)	D	1590 2	■	■	■	■	All CM
5	Needle Chucking Guide With Auxiliary Lever	C	1115 7	■	■	x	x	
		C	1115 1	x	x	■	■	
6	Spring Guide	C	1590 3	■	■	■	■	
7	Needle Spring	B	1570 1	■	■	■	■	All CM
8	Needle Spring Adjuster	E	1575 1	■	■	■	■	All CM
9	Fluid Needle	0.18 mm	E 1540 1	■	■	opt	opt	All CM
		0.23 mm	E 1540 2	opt	opt	■	■	All CM
		0.23 mm	E 1540 3	x	x	x	■	All CM
10	Needle Chucking Nut	B	1560 1	■	■	■	■	All CM
11A	Pre-Set Handle	G	1585 4	■	■	■	opt	
11B	Pre-Set Handle (Single Cut)	G	1585 5	opt	opt	opt	■	
12	Pre-Set With Crown Cap Dock	E	1586 1	■	■	■	■	All CM

#	ITEM DESCRIPTION	PRICE CODE	ITEM #	CM-B	CM-SB	CM-C	CM-C+	ALSO FITS
13	Main Lever	D	1545 4	■	■	■	■	
14A	Air Piston	B	1500 1	■	■	■	■	All CM
14B	Packing Air Piston (O-Ring, 2pcs)	B	1580 1	■	■	■	■	All CM
15	Air Valve Set	H	1510 1	■	■	■	■	All CM
15A	Air Valve Body	F	1510 2	■	■	■	■	All CM
15B	Air Valve	C	1505 1	■	■	■	■	All CM
15C	Air Valve Spring	B	1510 4	■	■	■	■	All CM
15D	Air Valve Guide	B	1510 3	■	■	■	■	All CM
16A	Fluid Cup Lid	E	1530 1	x	x	■	opt	All CM
16B	Fluid Cup Lid	E	1618 1	x	x	opt	■	All CM
17	Blanking Cover	B	1045 2	x	■	x	x	All CM
18	Fluid Cup	1/8 oz	G 1070 3	x	■	x	x	All CM
		1/4 oz	G 1070 4	x	■	x	x	All CM
19	Packing Lower Lid (Gasket)	A	1150 5	x	■	x	x	All CM
20	Lower Lid	1/8 oz	B 1095 6	x	■	x	x	All CM
		1/4 oz	C 1095 7	x	■	x	x	All CM
21	Packing Handle (O-Ring)	A	1605 1	x	x	x	■	All CM
22	Micro Air Control Valve	D	1190 1	x	x	x	■	All CM
23	Packing Mac Valve (O-Ring)	A	1190 2	x	x	x	■	All CM
	Spanner (Nozzle Wrench)	B	1165 1	■	■	■	■	All CM
	Quick Fit Set (QD and Adaptor)	H	1160 3	opt	opt	opt	opt	All CM
	Quick Fit Adaptor (Adaptor Only)	C	1160 4	opt	opt	opt	opt	All CM
	Adaptor (Iwata Airbrushes to Paasche Air Hose)		J001	opt	opt	opt	opt	All CM
	Adaptor (Iwata Airbrushes to T & C/Badger Air Hoses)		J002	opt	opt	opt	opt	All CM

*Replacement parts not available.

■ = yes x = no opt = optional

IWATA CUSTOM MICRON SERIES (ORIGINAL)



#	ITEM DESCRIPTION	PRICE CODE	ITEM #	CM-B	CM-SB	CM-C	CM-C+	ALSO FITS
1	Fluid Head System 0.18 mm	L	I 535 1	■	■	opt	opt	
	0.23 mm	L	I 535 2	opt	opt	■	■	
1A	Fluid Head-Needle Crown Cap	D	I 535 1D	■	■	■	■	
1B	Fluid Head-Nozzle Cap	G	I 535 1C	■	■	opt	opt	
		G	I 535 2C	opt	opt	■	■	
1C	Fluid Head-Nozzle 0.18 mm	H	I 535 1B	■	■	opt	opt	
	0.23 mm	H	I 535 2B	opt	opt	■	■	
1D	Fluid Head Nozzle Base	J	I 535 1A	■	■	■	■	
2	Packing Fluid Head (O-Ring)	C	I 580 2	■	■	■	■	
3A	Body*	SB	I 525 2	x	■	x	x	
3B		C	I 525 3	x	x	■	x	
		O	I 525 1	■	x	x	x	
3C		B	I 525 1	■	x	x	x	
3D		C+	I 525 6	x	x	x	■	
5	Packing Fluid Needle Set (PTFE)	D	I 590 2	■	■	■	■	
6	Spring Guide	E	I 590 1	■	■	■	■	
7	Needle Chucking Guide	E	I 550 1	■	■	■	■	
8	Needle Spring	B	I 570 1	■	■	■	■	
9	Needle Spring Adjuster	E	I 575 1	■	■	■	■	
10	Fluid Needle 0.18 mm	E	I 540 1	■	■	opt	opt	
		E	I 540 2	opt	opt	■	■	
		E	I 540 3	x	x	x	■	
11	Needle Chucking Nut	B	I 560 1	■	■	■	■	
12A	Pre-Set Handle Set	H	I 585 1	■	■	■	opt	
12B	Pre-Set Handle (Single Cut)	H	I 585 2	opt	opt	opt	■	
13	Main Lever	F	I 545 1	■	■	x	x	
		F	I 545 2	x	x	■	■	
14	Air Piston	B	I 500 1	■	■	■	■	

#	ITEM DESCRIPTION	PRICE CODE	ITEM #	CM-B	CM-SB	CM-C	CM-C+	ALSO FITS
15	Auxiliary Lever	B	I 515 1	■	■	■	■	
16	Packing Air Piston (O-Ring, 2pcs)	B	I 580 1	■	■	■	■	
17	Air Valve Set	H	I 510 1	■	■	■	■	
17A	Air Valve Body	F	I 510 2	■	■	■	■	
17B	Air Valve	C	I 505 1	■	■	■	■	
17C	Air Valve Spring	B	I 510 4	■	■	■	■	
17D	Air Valve Guide	B	I 510 3	■	■	■	■	
18	Needle Chucking Guide Screw	B	I 555 1	■	■	■	■	
19A	Fluid Cup Lid	E	I 530 1	x	x	■	opt	
19B	Fluid Cup Lid	E	I 618 1	x	x	opt	■	
20	Blanking Cover	B	I 045 2	x	■	x	x	
21	Fluid Cup	1/8 oz	G	I 070 3	x	■	x	x
		1/4 oz	G	I 070 4	x	■	x	x
22	Packing Lower Lid (Gasket)	A	I 150 5	x	■	x	x	
23	Lower Lid	1/8 oz	B	I 095 6	x	■	x	x
		1/4 oz	C	I 095 7	x	■	x	x
28	Packing Handle (O-Ring)	A	I 605 1	x	x	x	■	
29	Micro Air Control Valve	D	I 190 1	x	x	x	■	
30	Packing Mac Valve (O-Ring)	A	I 190 2	x	x	x	■	
	Spanner (Nozzle Wrench)	B	I 165 1	■	■	■	■	
	Quick Fit Set (QD and Adaptor)	H	I 160 3	opt	opt	opt	opt	
	Quick Fit Adaptor (Adaptor Only)	C	I 160 4	opt	opt	opt	opt	
	Adaptor (Iwata Airbrushes to Paasche Air Hose)		J 001	opt	opt	opt	opt	
	Adaptor (Iwata Airbrushes to T & C/Badger Air Hoses)		J 002	opt	opt	opt	opt	

*Replacement parts not available.

■ = yes x = no opt = optional